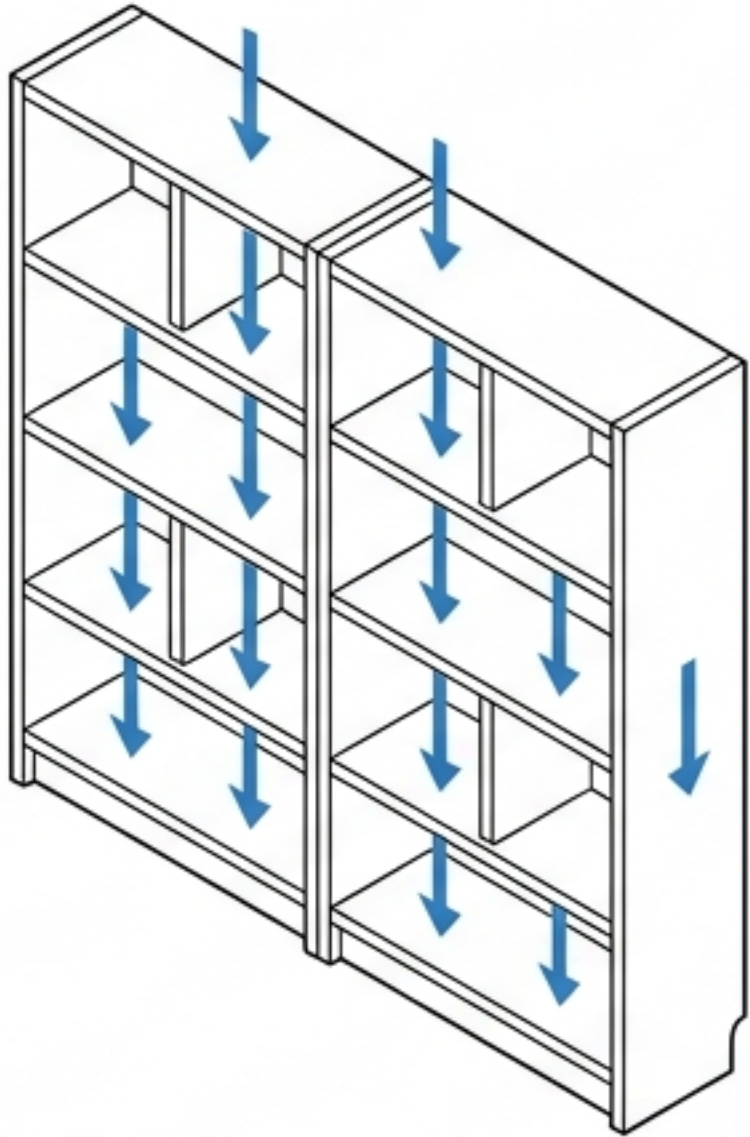


# The Flat-Pack Masterclass

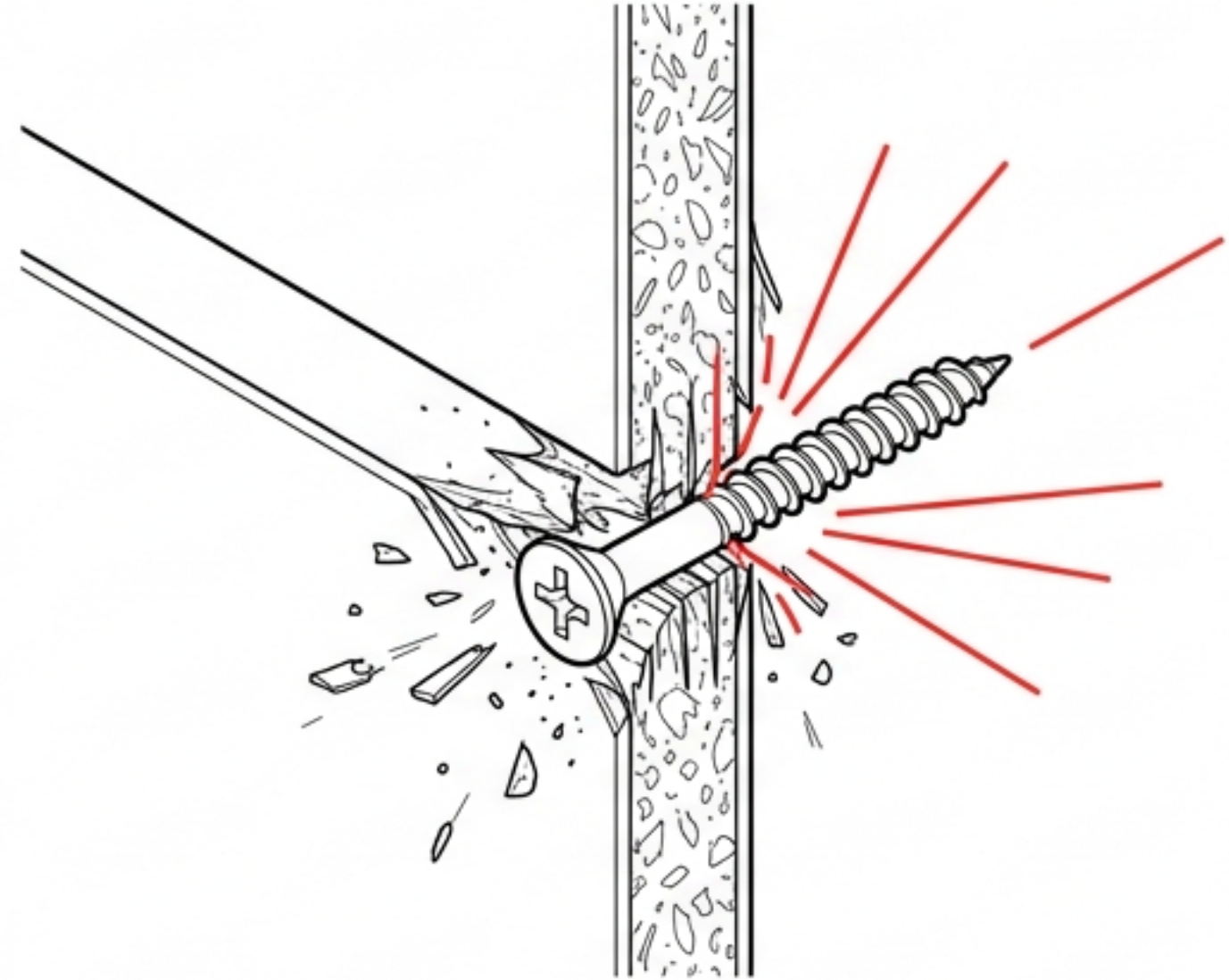
Expert Secrets for Disassembling, Moving, and Upgrading IKEA Furniture.

# The Flat-Pack Paradox



## Assembled Geometry

Flat-pack engineering is incredibly durable when fully assembled, relying on precise geometric tension and distributed weight.

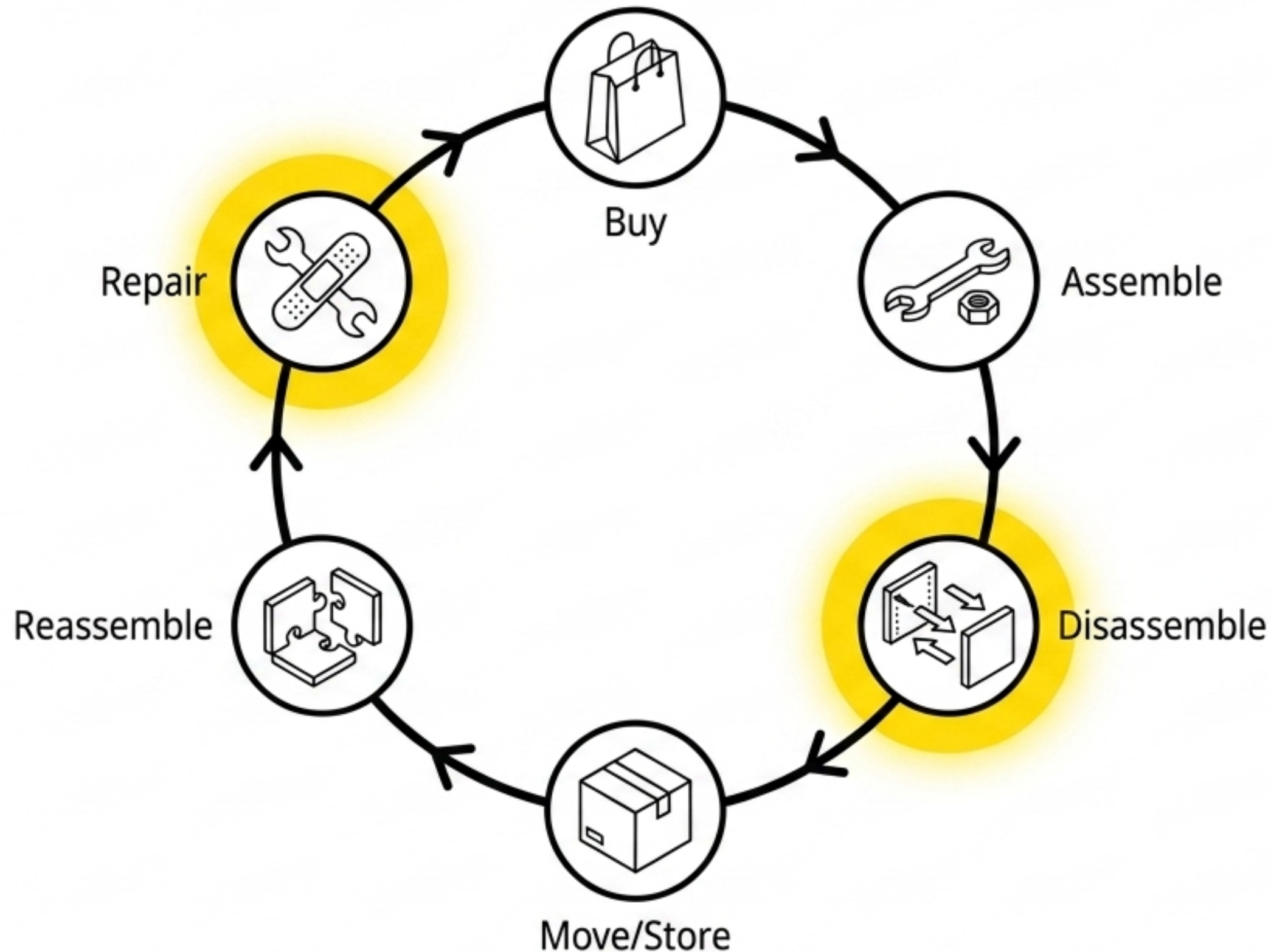


## Stressed Joints

The lightweight core materials are highly vulnerable to torque and stripping when moved whole.

**The Expert Approach:** Proper disassembly eliminates joint stress, preserves fragile chipboard, and drastically extends the furniture's lifespan.

# The Circular Future



## 2030 Climate Positive Goal

Prolonging furniture life is a critical step in reversing climate change.

## Reverse Manuals

Recognizing the need for sustainable consumption, official disassembly instructions are now provided for iconic items like the BILLY, PAX, and MALM.

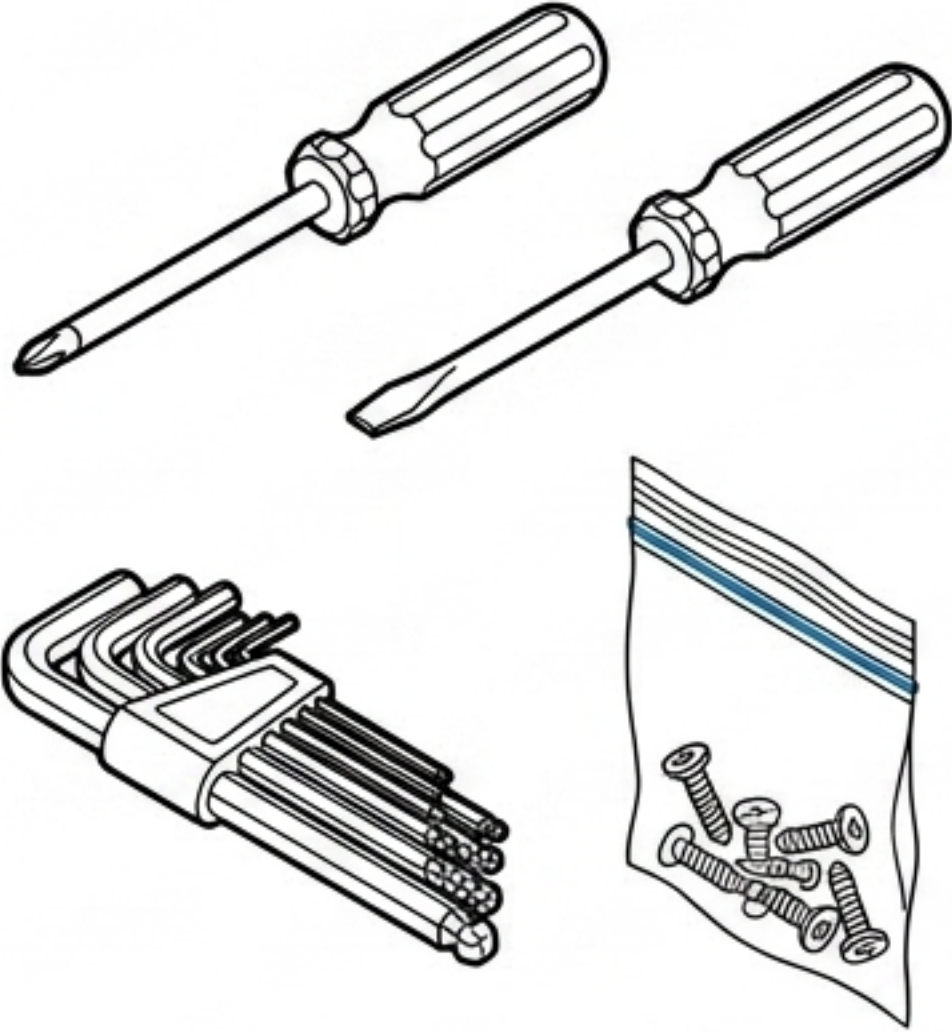
## The Repair Network

Instead of discarding an entire unit over a lost piece, utilize the spare parts network to repair serviceable items.

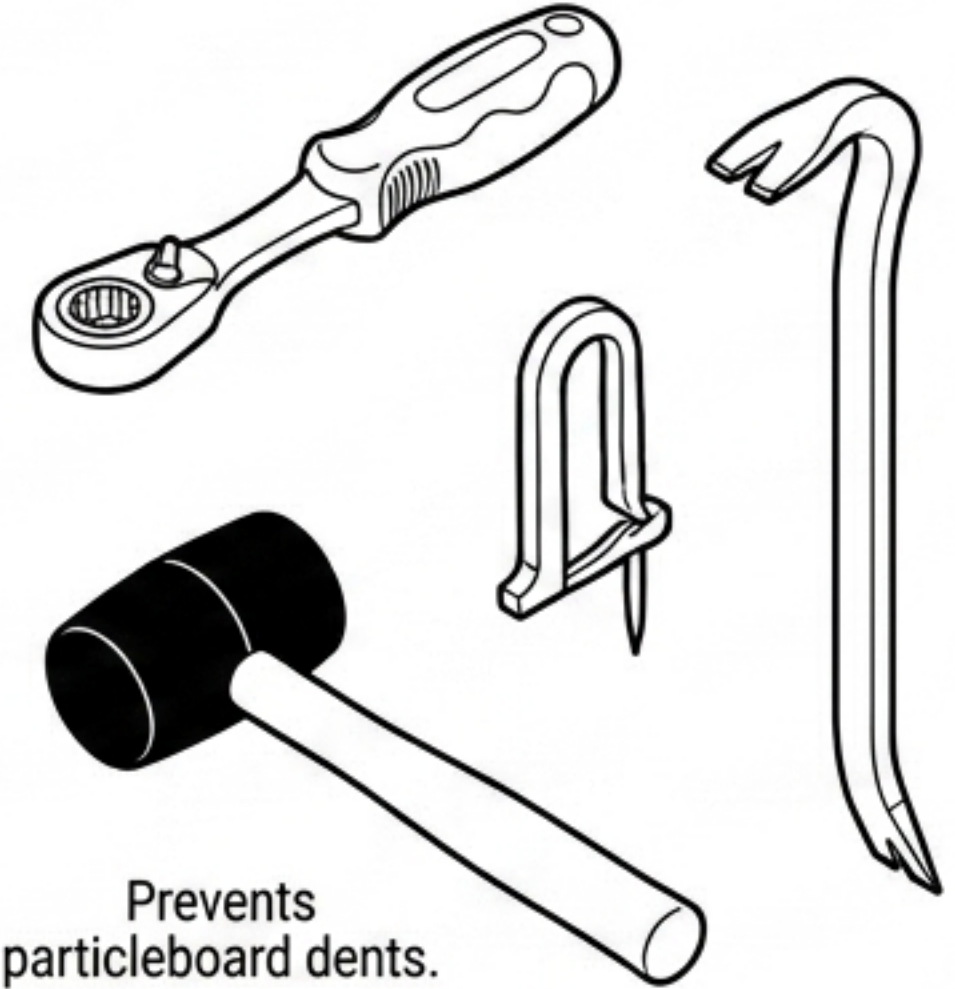
# The Expert Toolkit Matrix



## The Basics



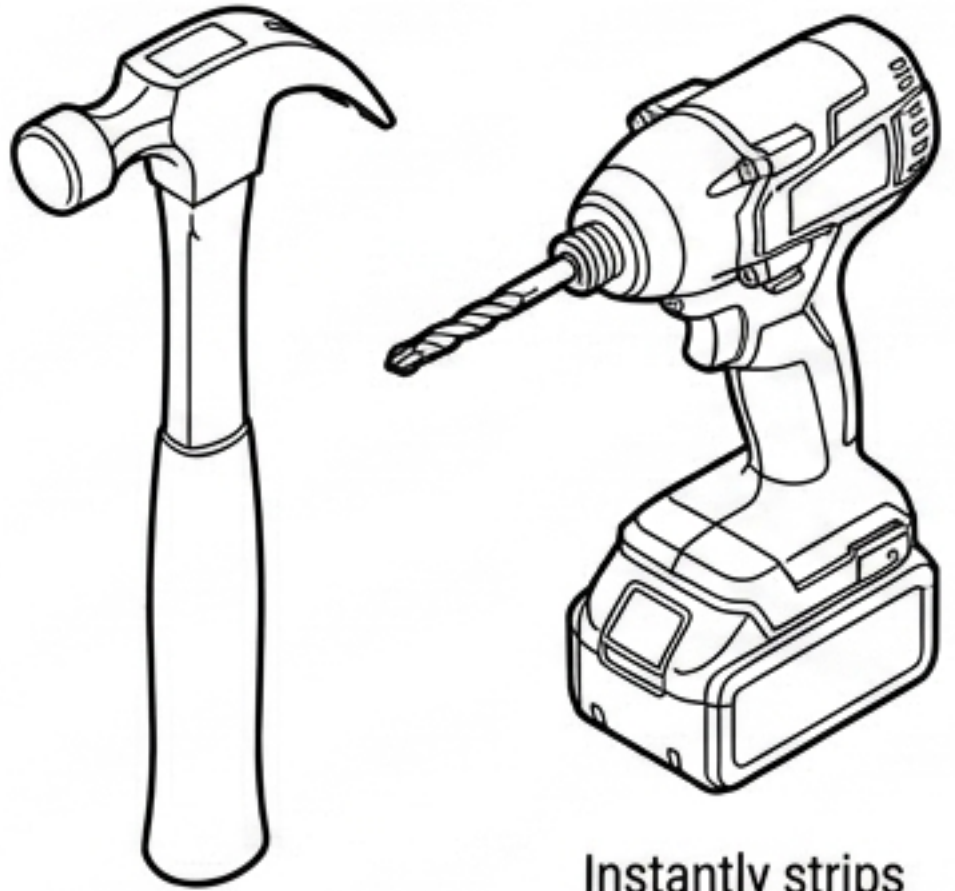
## The Upgrades



Prevents particleboard dents.



## The Danger Zone

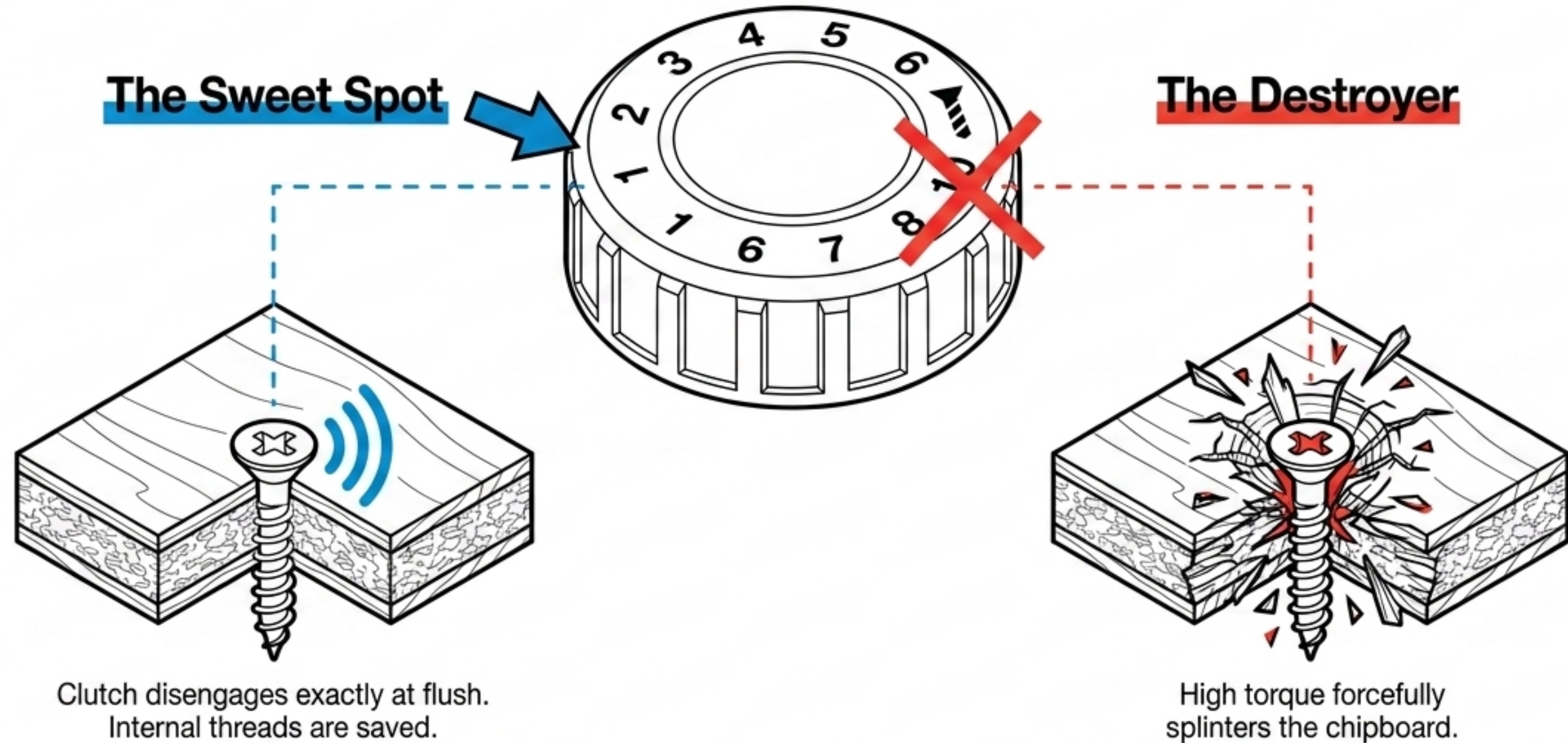


Instantly strips compressed wood.

**Your toolkit determines the survival of the veneer.** Upgrade to ergonomic tools for large builds like the PAX, and banish impact drivers entirely.

# Mastering the Power Drill

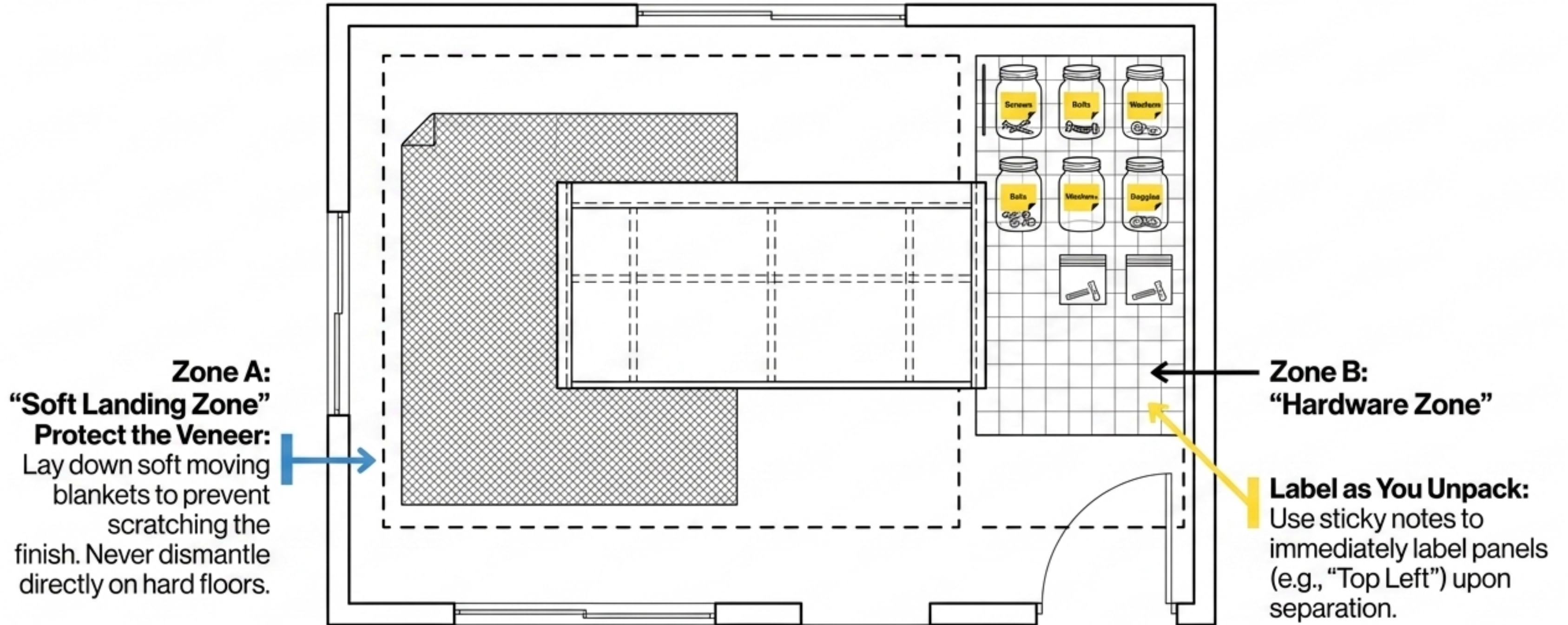
Power tools save time, but over-tightening destroys flat-pack furniture.



**The Golden Rule:** Always set your drill's clutch to Setting #1.

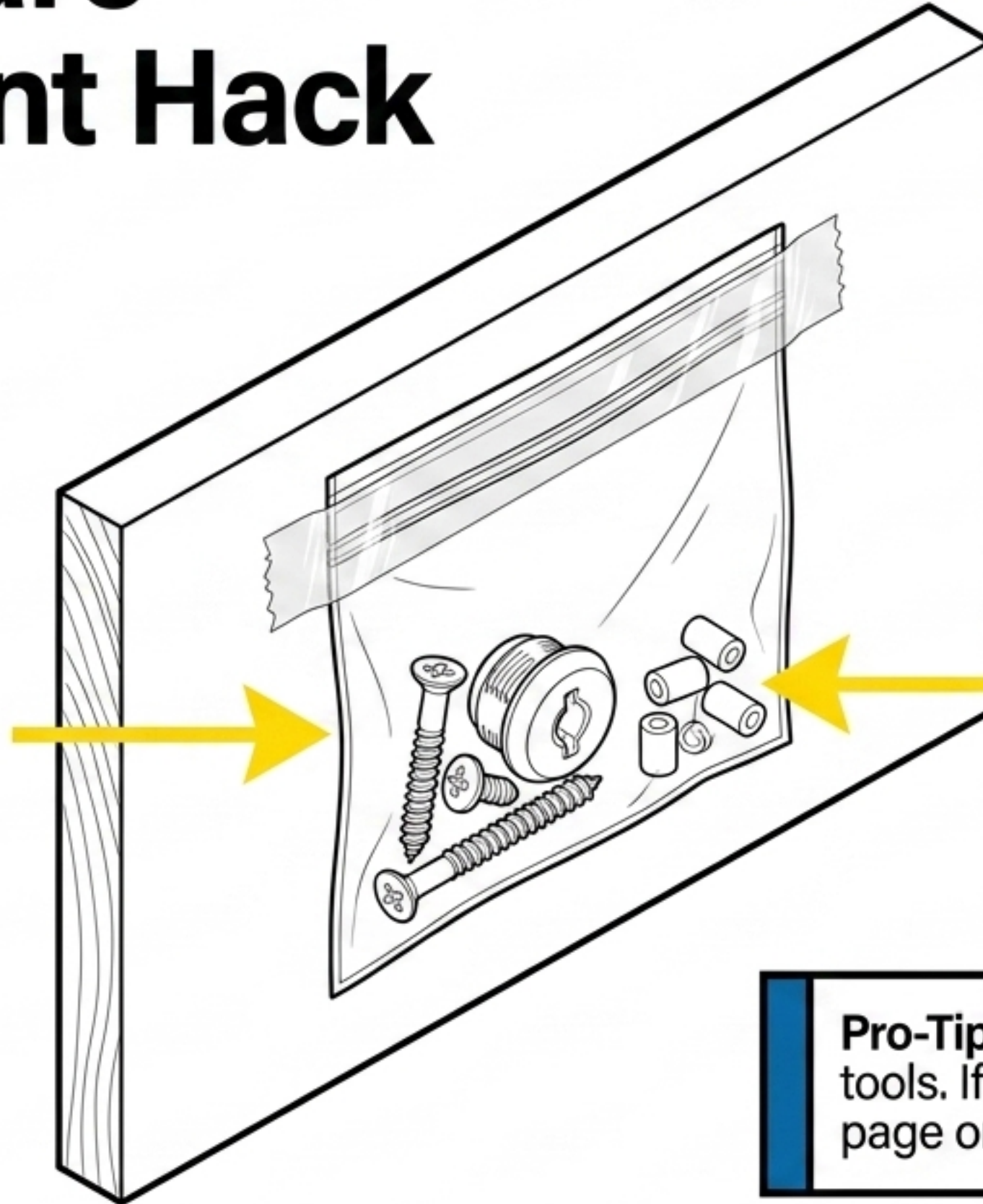
# Phase 1: Space & Preparation

**Clear a workspace footprint**  
equal to the full height of the  
furniture to allow panels to lay flat.



# The Hardware Management Hack

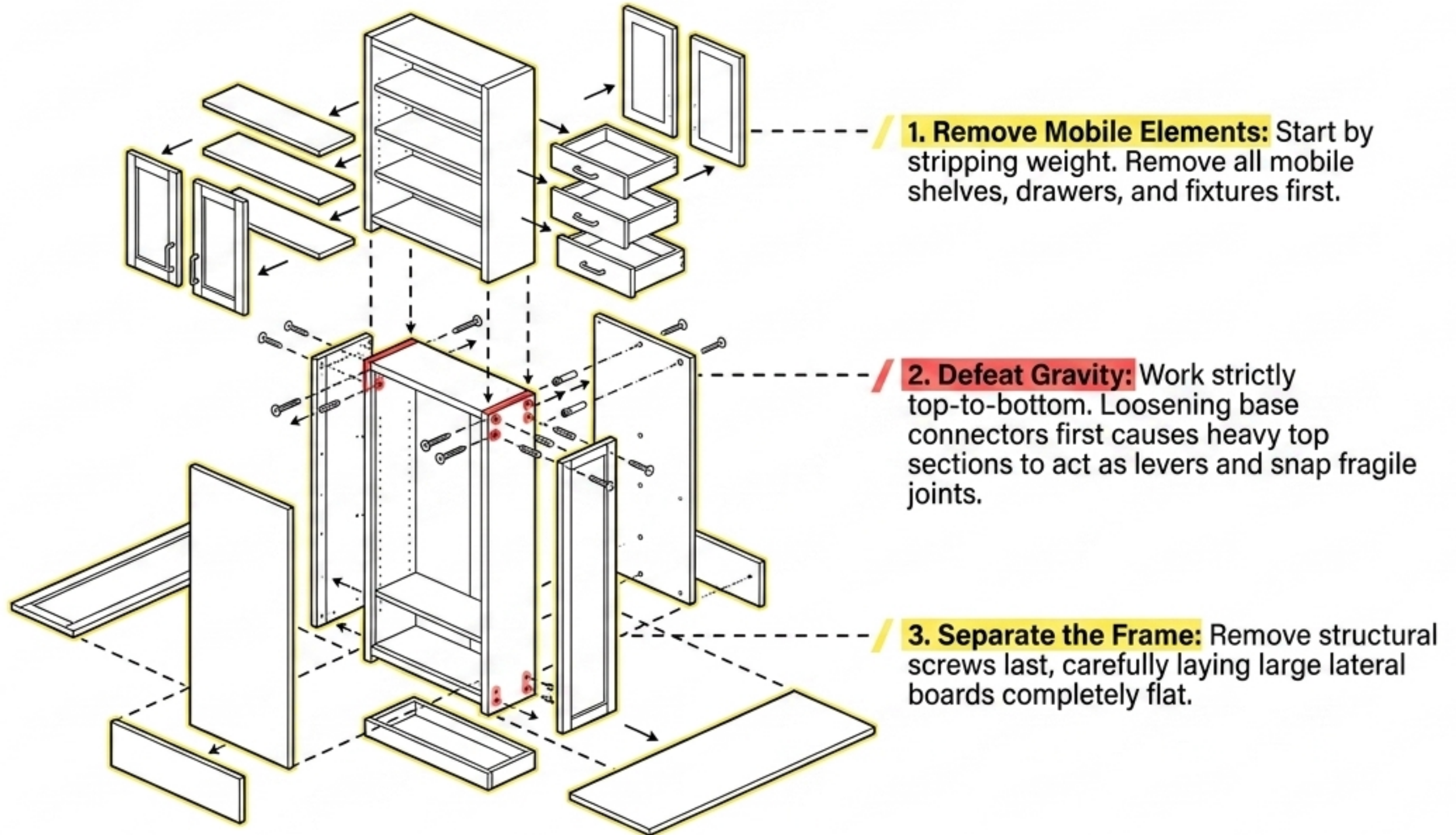
**The Method:** Isolate hardware for specific sections into ziplock baggies. Affix the bag directly to its corresponding panel.



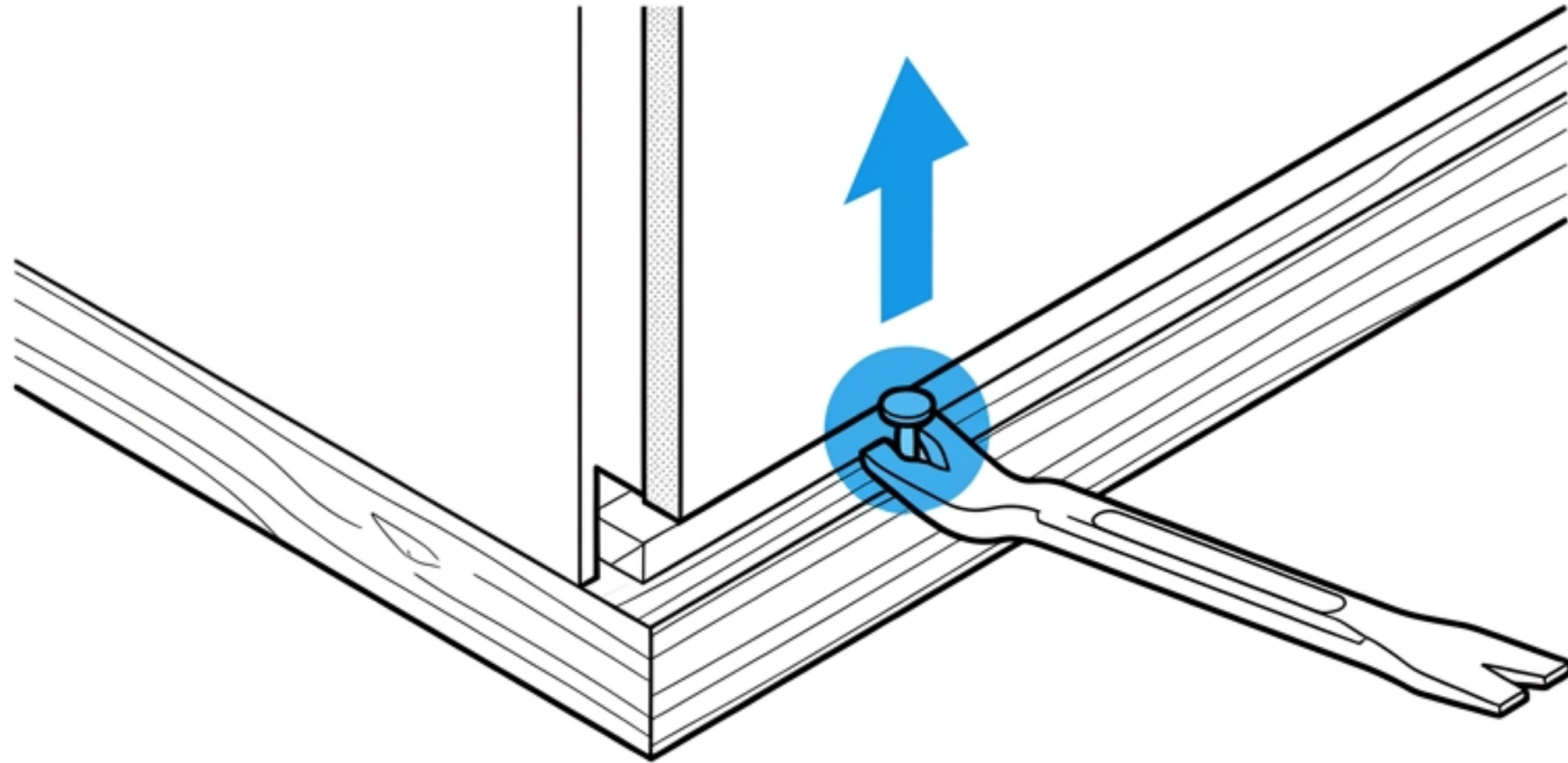
**Protect the 'Nubbins':** This hack is critical for retaining the tiny metal pegs that hold mobile shelves.

**Pro-Tip:** Pack the original manual with your tools. If lost, navigate to the specific product page online to download the PDF.

# Phase 2: The Top-Down Teardown



# The Back Panel Challenge



## The Extraction

Backboards are highly susceptible to tearing. Use a dedicated nail-puller or staple remover.

Extract nails one by one with gentle, perfectly straight **upward pressure**.

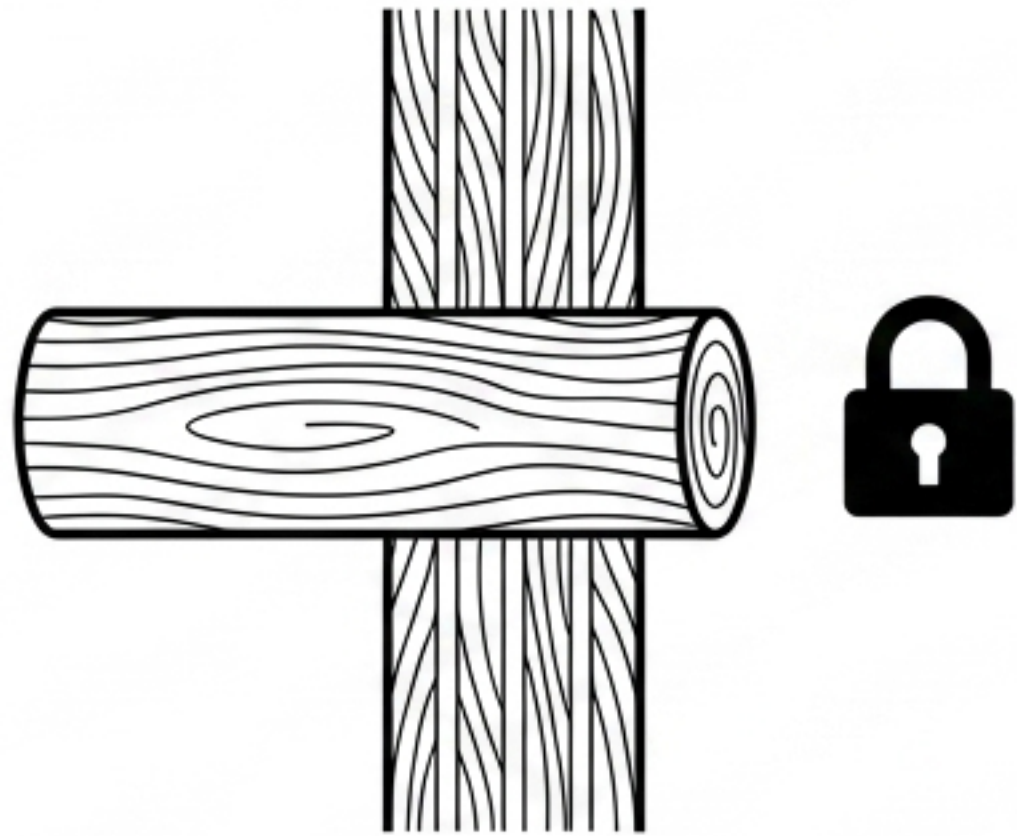
## The Quality Check

**Examine every removed nail.** If a nail is bent or warped, **throw** it in the bin **immediately**.

Attempting to reuse warped nails will violently damage the panel during reassembly.

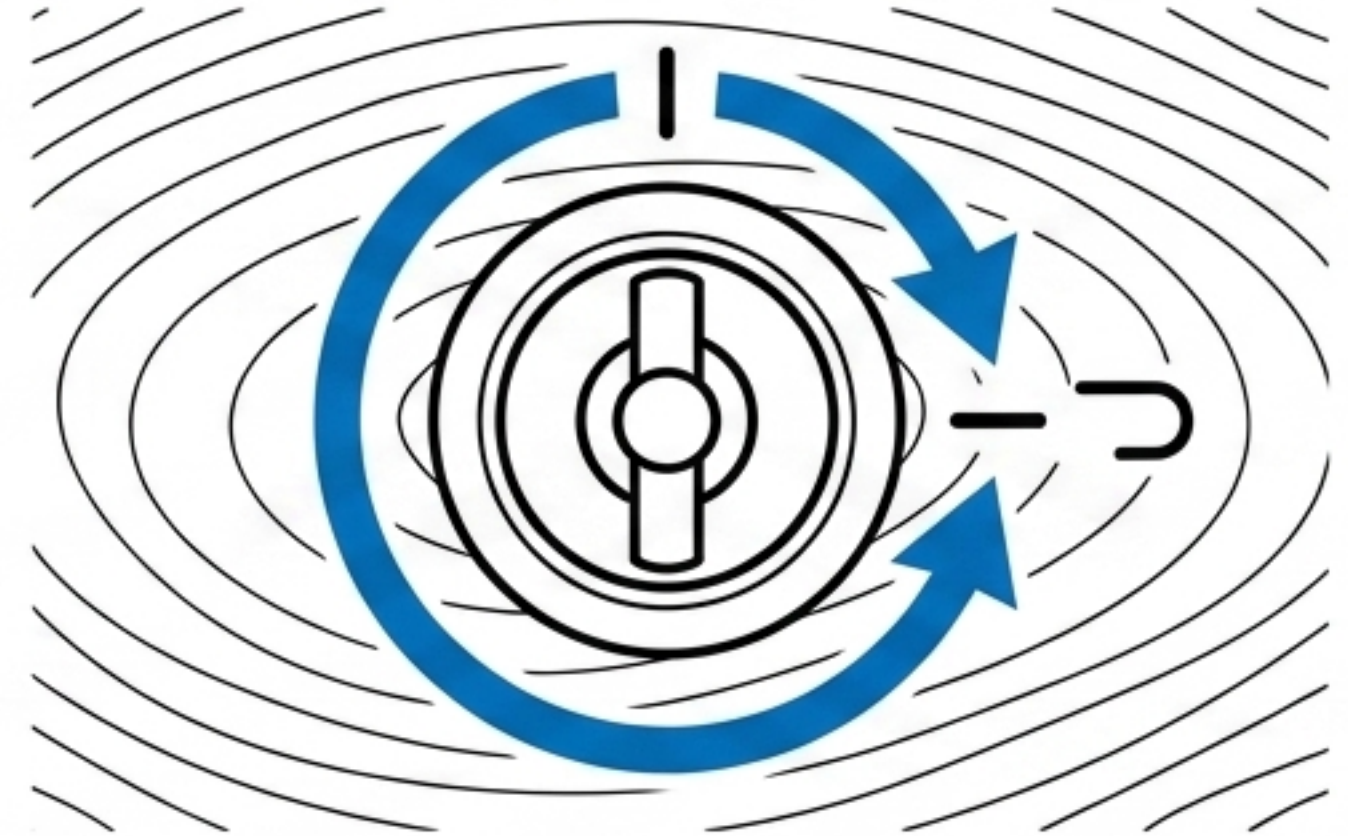
# Handling Fragile Connections

## Wooden Dowels



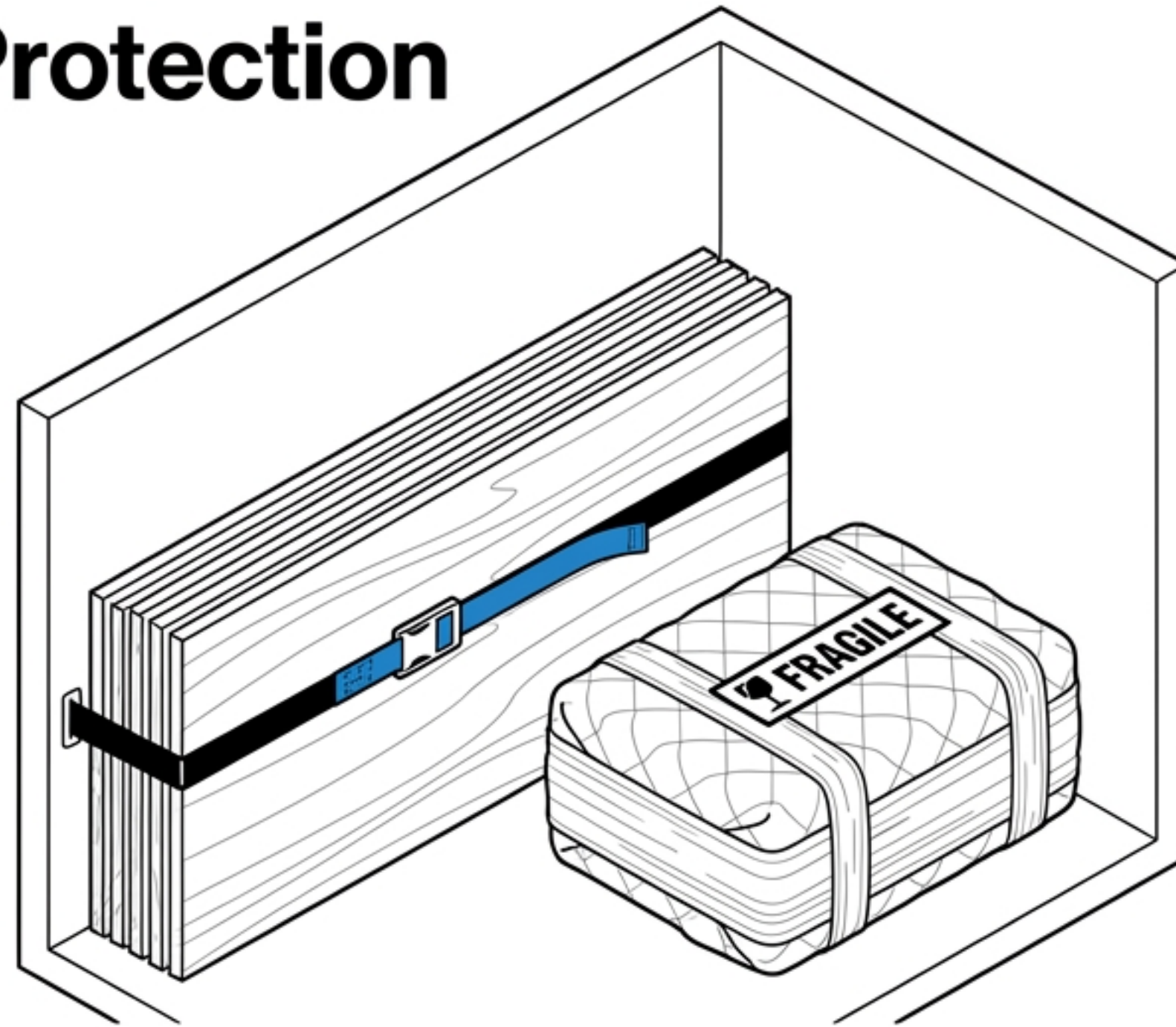
Leave dowels safely embedded in their boards. **Only** remove them if they actively prevent you from stacking the boards perfectly flat for transport.

## Metal Cam Locks



A partially locked cam lock will **rip a hole right through** chipboard. Ensure every single cam lock is rotated a full 90 degrees to the unlocked position before pulling panels apart.

# Transport & Protection Protocols



---

## Stack Flush

---

Flat-pack panels must be stacked completely flush, upright or flat. Uneven pressure points will cause particleboard to permanently warp.

---

## Isolate Hardware

---

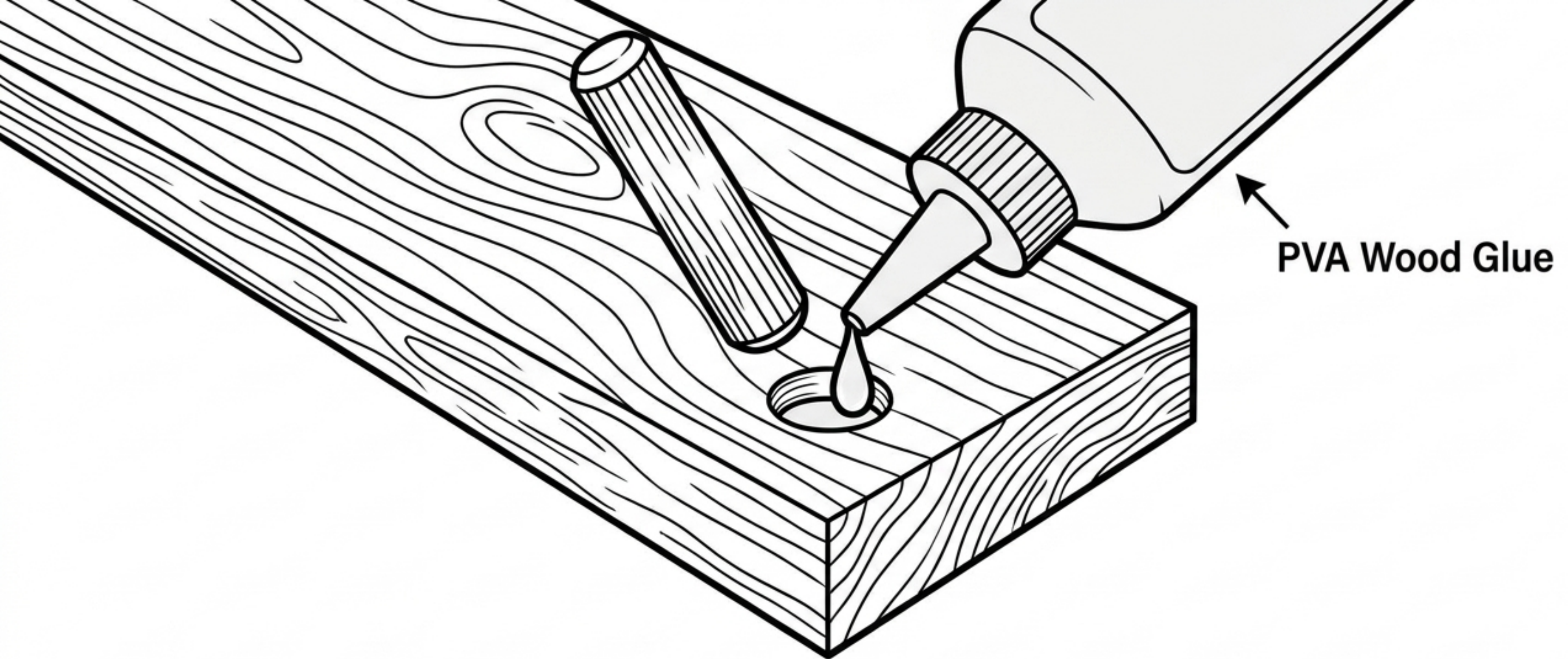
Never pack loose heavy metal hardware or hand tools in the same box or container as scratchable surface veneers.

---

## Pad Delicates

---

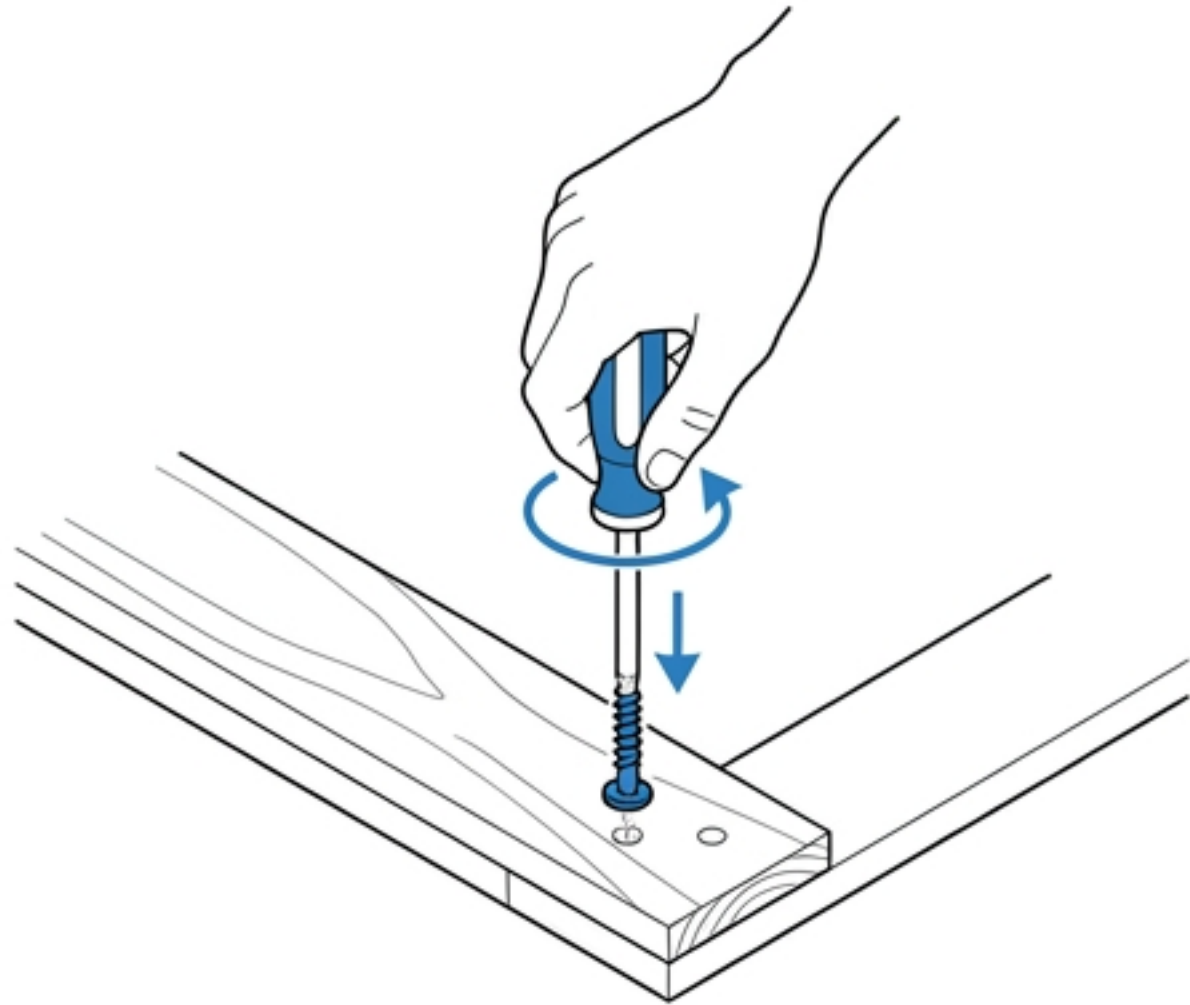
Utilize heavy stretch film and moving blankets to heavily wrap delicate pieces, particularly glass shelves or mirrored doors.



**Want your LACK table or MALM dresser to survive decades without wobbling? Introduce an adhesive. Apply a generous drop of high-quality Polyvinyl Acetate (PVA) wood glue directly into joint holes and grooves before inserting wooden dowels during reassembly.**

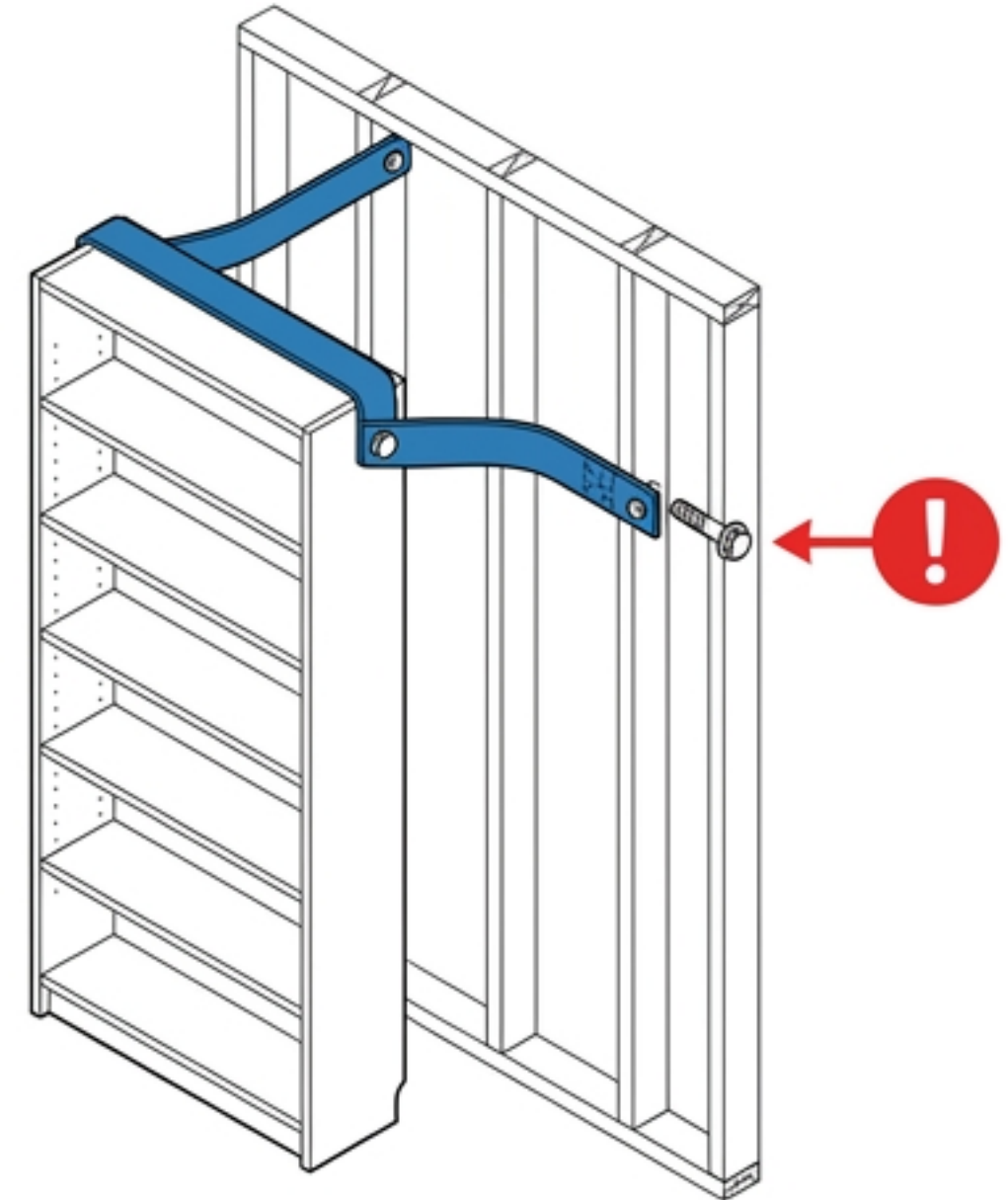
**The Result:** The glue permanently binds the compressed wood fibers together, adding massive structural integrity and preventing the joint from ever loosening under daily use.

# Safety & Stability First



## Avoid Stripping

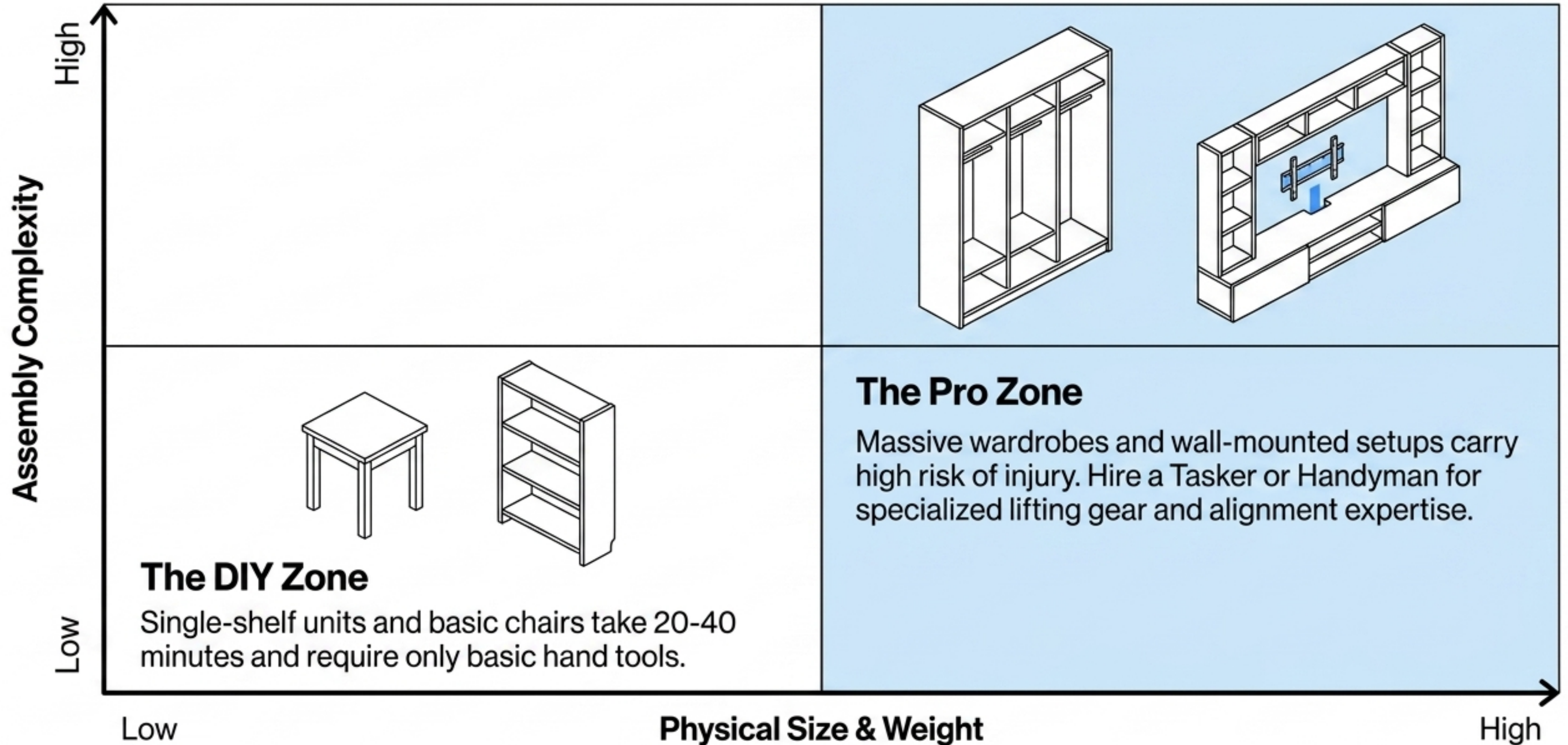
When reassembling, always tighten screws completely by hand first to ensure perfect thread alignment. Only use power tools for the final, gentle turns.







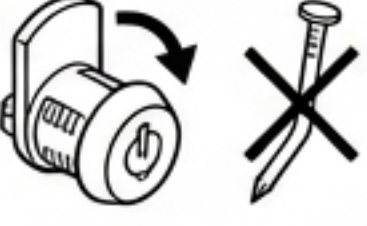

## Anchor Everything

Tall, freestanding pieces must be securely anchored to the wall. Invest in heavy-duty wall anchors designed specifically for your drywall or masonry to prevent tipping.

# DIY vs. Pro: When to Call Backup



# The Flat-Pack Master's Cheat Sheet

		
<input type="checkbox"/>		<b>1. Download the Manual:</b> Treat disassembly strictly as <b>assembly in reverse</b> .
<input type="checkbox"/>		<b>2. Tame the Torque:</b> Use <b>Drill Setting '1'</b> or stick to manual hand tools to <b>save the chipboard</b> .
<input type="checkbox"/>		<b>3. Bag the Hardware:</b> <b>Tape baggies of screws and nubbins</b> directly to their matching panels.
<input type="checkbox"/>		<b>4. Clear the Joints:</b> <b>Turn all cam locks a full 90 degrees</b> and bin any bent back-panel nails.
<input type="checkbox"/>		<b>5. Glue for Permanence:</b> <b>Add PVA wood glue to dowels</b> on reassembly to <b>eliminate wobbles forever</b> .